

18,796

May 3, 2024
Office of County Commissioners
PO BOX 1097
Greenville, TX 75403

FILED FOR RECORD
at 12:00 o'clock P M

MAY 14 2024

BECKY LANDRUM
County Clerk, Hunt County, Tex.
By 

**Underground Crossing
Project ID: 4276 Timber Creek Ln**

Greetings,

Frontier is requesting permission to construct and placement of fiber optic cable which consists of an underground installation. This request is for road crossings on Timber Creek Ln, which is located in Greenville, Hunt County, Texas. Site location map and permit plans are enclosed. The construction plans detail the proposed work. All road crossings will have a minimum depth of 48". If you have any questions, please contact me at any time.

Sincerely,

Amanda McNeely
Permit Specialist
Email: amcneely@squan.com
Phone: 501-932-0800 ext 5812

Submitted By:

Name: Amanda McNeely
Title: Permit Specialist
Email: amcneely@squan.com / Phone: 501-932-0800 Ext. 5812

Enclosures

County Approval Section:

Approved: _____

Denied: _____

Authorized Signature: _____

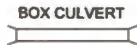
Printed Name: _____

Date Signed: _____

LEGEND SHEET

- PROPOSED BURIED FIBER/ DUCT
- PROPOSED AERIAL FIBER ELASHED
- PROPOSED AERIAL FIBER
- RIGHT-OF-WAY LINE
- EDGE OF PAVEMENT
- BACK OF CURB
- EDGE OF GRAVEL
- ROAD CENTERLINE
- SIDE WALKS
- WATER
- SEWER
- STORM DRAIN
- GAS
- FENCE
- RAIL ROAD

- EXISTING BURIED COPPER
- EXISTING BURIED FIBER
- EXISTING AERIAL COPPER
- EXISTING AERIAL FIBER
- EXISTING FRONTIER UTILITIES
- PUBLIC UTILITY EASEMENT
- OTHER EASEMENTS

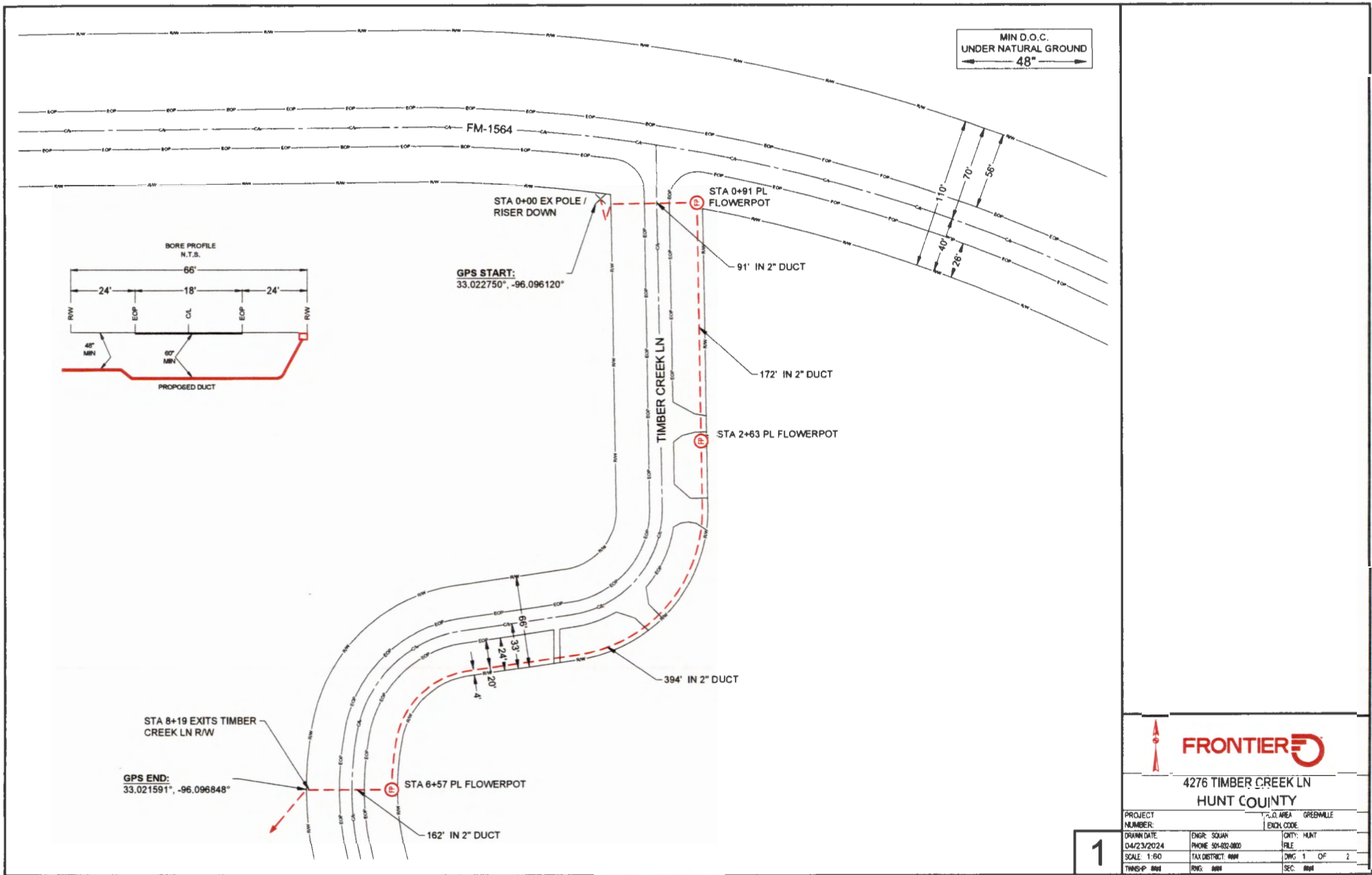


- EX-MAN HOLE
- EX-HANDHOLE
- EX PED
- 11"X11"X16" FLOWER POT
- 17"X30"X24"-HANDHOLE
- 3'X3'X3"-HANDHOLE
- 2'X3'X2"-HANDHOLE
- 30"X48"X36"- HANDHOLE
- 2'X3'X2' - HANDHOLE COMBO
- BORE PIT
- PROPOSED PED
- FRONTIER POLE
- POLE
- REMOVE & REPLACE FRONTIER POLE
- PROPOSED POLE
- WATER HYDRANT
- STORM PIPE FEATURE
- SANITARY MANHOLE
- GAS MARKER

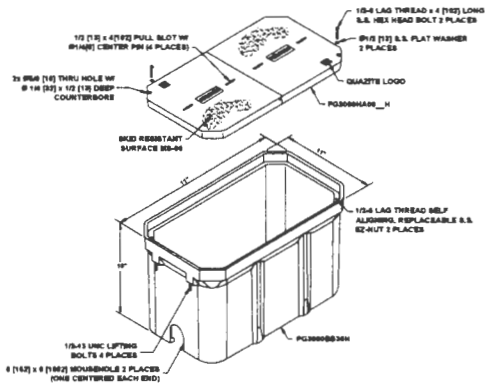


4276 TIMBER CREEK LN
HUNT COUNTY

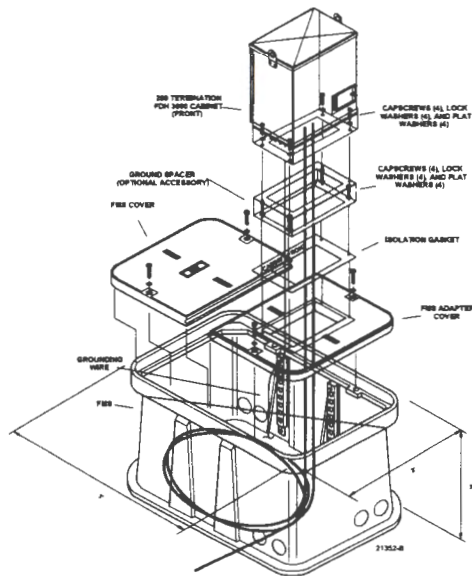
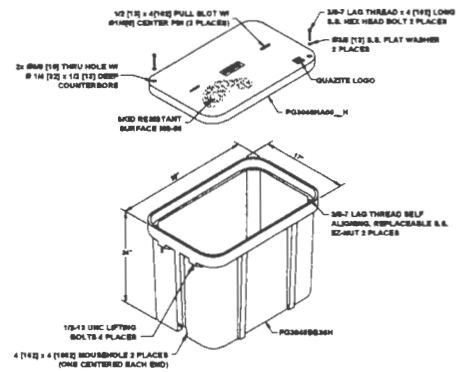
PROJECT NUMBER:	C.O. AREA: GREENVILLE
DRAWN DATE: 04/23/2024	ENGINEER: SQUAN
SCALE: 1"=40'	PHONE: 936-485-8800
TAX DISTRICT: 0000	CITY: HUNT
TWS: 000	FILE:
RWE: 000	DWG OF:
SEC: 000	



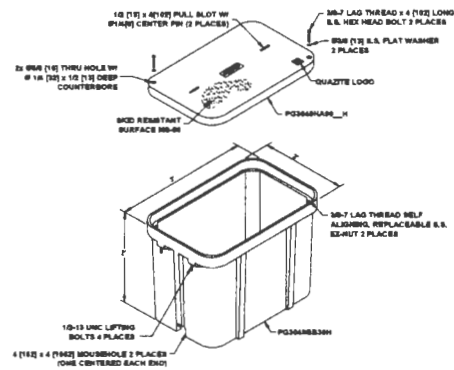
11X11X16 FLOWERPOT (H1)



17X30X24 HANDHOLE (H2)



3'X3'X3' HUB VAULT (H3)



2'X3'X2' HANDHOLE (H4)



4276 TIMBER CREEK LN
HUNT COUNTY

PROJECT NUMBER: CO. AREA GREENVILLE ENCL. CODE

DRAWN DATE: ENGR. SQUAN CITY: HUNT
04/23/2024 PHONE: 504-832-8800 FILE

SCALE: #0000000000 TAX DISTRICT: 0000 DWG. OF 2

THWSP: 0000 RWG: 0000 SEC: 0000